

Route 52

Jackson

DOWNTOWN MEMPHIS

Hudson Transit Center
1,2,4,8,11,12,19,28,34,36,39,40,50,52,53,57

LEGEND

- Bus Route
- Numbered Timepoint
- Transit Center
- Transfer Point
- Connecting Routes
- Point of Interest
- Park/Ride Lot
- Hospital

©2014 MATA

DOWNTOWN MEMPHIS
(See inset)



MONDAY – FRIDAY • OUTBOUND FROM DOWNTOWN

	1 Hudson Transit Center	2 Jackson Ave at Watkins St	3 Jackson Ave at Hollywood St	4 Memphis National Cemetery	5 Austin Peay Hwy at Yale Rd	6 Methodist Hospital North
AM	4:21	4:31	4:38	4:44	4:54	5:00
	4:51	5:01	5:08	5:14	5:24	5:30
	5:21	5:31	5:38	5:44	5:54	6:00
	5:51	6:01	6:08	6:14	6:24	6:30
	6:21	6:31	6:38	6:44	6:54	7:00
	6:51	7:01	7:08	7:14	7:24	7:30
	7:21	7:31	7:38	7:44	7:54	8:00
	7:51	8:01	8:08	8:14	8:24	8:30
	8:21	8:31	8:38	8:44	8:54	9:00
	8:51	9:01	9:08	9:14	9:24	9:30
	9:21	9:31	9:38	9:44	9:54	10:00
	9:51	10:01	10:08	10:14	10:24	10:30
	10:21	10:31	10:38	10:44	10:54	11:00
	10:51	11:01	11:08	11:14	11:24	11:30
	11:21	11:31	11:38	11:44	11:54	12:00
	11:51	12:01	12:08	12:14	12:24	12:30
PM	12:21	12:31	12:38	12:44	12:54	1:00
	12:51	1:01	1:08	1:14	1:24	1:30
	1:21	1:31	1:38	1:44	1:54	2:00
	1:51	2:01	2:08	2:14	2:24	2:30
	2:21	2:31	2:38	2:44	2:54	3:00
	2:51	3:01	3:08	3:14	3:24	3:30
	3:21	3:31	3:38	3:44	3:54	4:00
	3:51	4:01	4:08	4:14	4:24	4:30
	4:21	4:31	4:38	4:44	4:54	5:00
	4:51	5:01	5:08	5:14	5:24	5:30
	5:21	5:31	5:38	5:44	5:54	6:00
	5:51	6:01	6:08	6:14	6:24	6:30
	6:21	6:31	6:38	6:44	6:54	7:00
	7:21	7:31	7:38	7:44	7:54	8:00
	8:21	8:31	8:38	8:44	8:54	9:00
	9:21	9:31	9:38	9:44	9:54	10:00
10:21	10:31	10:38	10:44	10:54	11:00	

MONDAY – FRIDAY • INBOUND TO DOWNTOWN

	6	5	4	3	2	1
	Methodist Hospital North	Austin Peay Hwy at Yale Rd	Memphis National Cemetery	Jackson Ave at Hollywood St	Jackson Ave at Watkins St	Hudson Transit Center
AM	5:21	5:27	5:37	5:44	5:51	6:01
	5:51	5:57	6:07	6:14	6:21	6:31
	6:21	6:27	6:37	6:44	6:51	7:01
	6:51	6:57	7:07	7:14	7:21	7:31
	7:21	7:27	7:37	7:44	7:51	8:01
	7:51	7:57	8:07	8:14	8:21	8:31
	8:21	8:27	8:37	8:44	8:51	9:01
	8:51	8:57	9:07	9:14	9:21	9:31
	9:21	9:27	9:37	9:44	9:51	10:01
	9:51	9:57	10:07	10:14	10:21	10:31
	10:21	10:27	10:37	10:44	10:51	11:01
	10:51	10:57	11:07	11:14	11:21	11:31
	11:21	11:27	11:37	11:44	11:51	12:01
	11:51	11:57	12:07	12:14	12:21	12:31
PM	12:21	12:27	12:37	12:44	12:51	1:01
	12:51	12:57	1:07	1:14	1:21	1:31
	1:21	1:27	1:37	1:44	1:51	2:01
	1:51	1:57	2:07	2:14	2:21	2:31
	2:21	2:27	2:37	2:44	2:51	3:01
	2:51	2:57	3:07	3:14	3:21	3:31
	3:21	3:27	3:37	3:44	3:51	4:01
	3:51	3:57	4:07	4:14	4:21	4:31
	4:21	4:27	4:37	4:44	4:51	5:01
	4:51	4:57	5:07	5:14	5:21	5:31
	5:21	5:27	5:37	5:44	5:51	6:01
	5:51	5:57	6:07	6:14	6:21	6:31
	6:21	6:27	6:37	6:44	6:51	7:01
	6:51	6:57	7:07	7:14	7:21	7:31
	7:21	7:27	7:37	7:44	7:51	8:01
	8:21	8:27	8:37	8:44	8:51	9:01
	9:21	9:27	9:37	9:44	9:51	10:01
	10:21	10:27	10:37	10:44	10:51	11:01
11:21	11:27	11:37	11:44	11:51	12:01	

SATURDAY • OUTBOUND FROM DOWNTOWN

	1	2	3	4	5	6
	Hudson Transit Center	Jackson Ave at Watkins St	Jackson Ave at Hollywood St	Memphis National Cemetery	Austin Peay Hwy at Yale Rd	Methodist Hospital North
AM	7:21	7:31	7:38	7:44	7:54	8:00
	8:21	8:31	8:38	8:44	8:54	9:00
	9:21	9:31	9:38	9:44	9:54	10:00
	10:21	10:31	10:38	10:44	10:54	11:00
	11:21	11:31	11:38	11:44	11:54	12:00
PM	12:21	12:31	12:38	12:44	12:54	1:00
	1:21	1:31	1:38	1:44	1:54	2:00
	2:21	2:31	2:38	2:44	2:54	3:00
	3:21	3:31	3:38	3:44	3:54	4:00
	4:21	4:31	4:38	4:44	4:54	5:00
	5:21	5:31	5:38	5:44	5:54	6:00
	6:21	6:31	6:38	6:44	6:54	7:00
	7:21	7:31	7:38	7:44	7:54	8:00

SATURDAY • INBOUND TO DOWNTOWN

	6	5	4	3	2	1
	Methodist Hospital North	Austin Peay Hwy at Yale Rd	Memphis National Cemetery	Jackson Ave at Hollywood St	Jackson Ave at Watkins St	Hudson Transit Center
AM	8:21	8:27	8:37	8:44	8:51	9:01
	9:21	9:27	9:37	9:44	9:51	10:01
	10:21	10:27	10:37	10:44	10:51	11:01
	11:21	11:27	11:37	11:44	11:51	12:01
PM	12:21	12:27	12:37	12:44	12:51	1:01
	1:21	1:27	1:37	1:44	1:51	2:01
	2:21	2:27	2:37	2:44	2:51	3:01
	3:21	3:27	3:37	3:44	3:51	4:01
	4:21	4:27	4:37	4:44	4:51	5:01
	5:21	5:27	5:37	5:44	5:51	6:01
	6:21	6:27	6:37	6:44	6:51	7:01
	7:21	7:27	7:37	7:44	7:51	8:01
	8:21	8:27	8:37	8:44	8:51	9:01

SUNDAY • OUTBOUND FROM DOWNTOWN

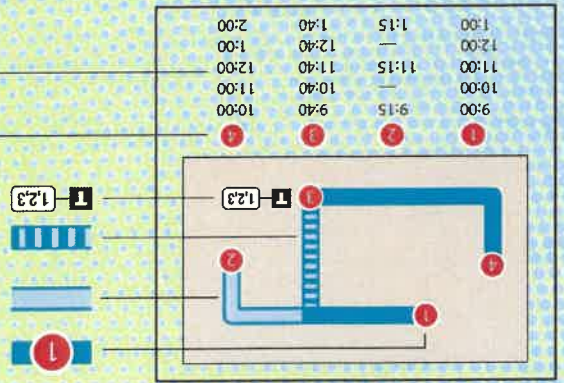
	1	2	3	4	5	6
	Hudson Transit Center	Jackson Ave at Watkins St	Jackson Ave at Hollywood St	Memphis National Cemetery	Austin Peay Hwy at Yale Rd	Methodist Hospital North
AM	8:21	8:31	8:38	8:44	8:54	9:00
	9:21	9:31	9:38	9:44	9:54	10:00
	10:21	10:31	10:38	10:44	10:54	11:00
	11:21	11:31	11:38	11:44	11:54	12:00
PM	12:21	12:31	12:38	12:44	12:54	1:00
	1:21	1:31	1:38	1:44	1:54	2:00
	2:21	2:31	2:38	2:44	2:54	3:00
	3:21	3:31	3:38	3:44	3:54	4:00
	4:21	4:31	4:38	4:44	4:54	5:00

SUNDAY • INBOUND TO DOWNTOWN

	6	5	4	3	2	1
	Methodist Hospital North	Austin Peay Hwy at Yale Rd	Memphis National Cemetery	Jackson Ave at Hollywood St	Jackson Ave at Watkins St	Hudson Transit Center
AM	9:21	9:27	9:37	9:44	9:51	10:01
	10:21	10:27	10:37	10:44	10:51	11:01
	11:21	11:27	11:37	11:44	11:51	12:01
PM	12:21	12:27	12:37	12:44	12:51	1:01
	1:21	1:27	1:37	1:44	1:51	2:01
	2:21	2:27	2:37	2:44	2:51	3:01
	3:21	3:27	3:37	3:44	3:51	4:01
	4:21	4:27	4:37	4:44	4:51	5:01
5:21	5:27	5:37	5:44	5:51	6:01	

Instructions

- The bus stops at this location at listed times.
- Look for the column of times below the matching symbol in the schedule.
- Only certain trips operate along this portion of the route.
- See the schedule for trips that provide service here.
- The bus operates express along this portion of the route.
- Transfer point shows where this bus intersects with other routes that are available for transfer.
- The bus stops at the times listed below the numbered symbol.
- Light times are A.M.; bold times are P.M.
- The timetable shows when the bus is scheduled to depart.
- Actual departure times may vary and depend upon traffic and weather conditions.
- Arrive at the bus stop about 10 minutes early to avoid missing the bus.



MATA Fares

Adult Base Fare	\$1.00
*Student Base Fare	\$1.00
*Seniors/Disabled Base Fare	\$0.50
MATAplus Base Fare	\$2.00

MULTI-RIDE PASSES

Daily FastPass	\$2.00
*Student Daily FastPass	\$2.00
*Senior/Disabled Daily FastPass	\$1.00

*MATA ID REQUIRED.

Seniors & people with disabilities must have a valid MATA ID for the reduced price.

Route schedules may be subject to change without notice.

MATA Information

Call Center & Customer Services

(901) 274 - MATA (6282)

Airways Transit Center

3033 Airways Boulevard

American Way Transit Center

3921 American Way

Hudson Transit Center

444 N. Main Street

MATA Administrative Offices

One Commerce Square Building
40 S. Main Street

MATA Operations Center

1370 Levee Road

Large print schedules are available upon request.
All buses are wheelchair accessible.

Visit us at : www.MATATransit.com

EFFECTIVE : 8/13/2023

ROUTE 52 Jackson



SERVING

- Hudson Transit Center
- Downtown Memphis
- National Cemetery
- Raleigh Springs Mall
- Methodist Hospital North



(901) 274-6282
www.matatransit.com