

# Route 2

# Madison



**MONDAY – FRIDAY • OUTBOUND FROM DOWNTOWN**

	<b>1</b> Hudson Transit Center	<b>2</b> Cooper St at Union Ave	<b>3</b> Central Ave at U-M Crosswalk	<b>4</b> Park Ave at Goodlett St	<b>5</b> Quince Rd at Delmont Rd	<b>6</b> Knight Arnold Rd at Ridgeway Blvd
<b>AM</b>	5:48	6:10	----	6:34	6:44	7:00
	6:18	6:40	7:01	----	----	----
	6:48	7:10	----	7:34	7:44	8:00
	7:18	7:40	8:01	----	----	----
	7:48	8:10	----	8:34	8:44	9:00
	8:18	8:40	9:01	----	----	----
	8:48	9:10	----	9:34	9:44	10:00
	9:18	9:40	10:01	----	----	----
	9:48	10:10	----	10:34	10:44	11:00
	10:18	10:40	11:01	----	----	----
	10:48	11:10	----	11:34	11:44	<b>12:00</b>
	11:18	11:40	<b>12:01</b>	----	----	----
	11:48	<b>12:10</b>	----	<b>12:34</b>	<b>12:44</b>	<b>1:00</b>
	<b>PM</b>	<b>12:18</b>	<b>12:40</b>	<b>1:01</b>	----	----
<b>12:48</b>		<b>1:10</b>	----	<b>1:34</b>	<b>1:44</b>	<b>2:00</b>
<b>1:18</b>		<b>1:40</b>	<b>2:01</b>	----	----	----
<b>1:48</b>		<b>2:10</b>	----	<b>2:34</b>	<b>2:44</b>	<b>3:00</b>
<b>2:18</b>		<b>2:40</b>	<b>3:01</b>	----	----	----
<b>2:48</b>		<b>3:10</b>	----	<b>3:34</b>	<b>3:44</b>	<b>4:00</b>
<b>3:18</b>		<b>3:40</b>	<b>4:01</b>	----	----	----
<b>3:48</b>		<b>4:10</b>	----	<b>4:34</b>	<b>4:44</b>	<b>5:00</b>
<b>4:18</b>		<b>4:40</b>	<b>5:01</b>	----	----	----
<b>4:48</b>		<b>5:10</b>	----	<b>5:34</b>	<b>5:44</b>	<b>6:00</b>
<b>5:18</b>		<b>5:40</b>	<b>6:01</b>	----	----	----
<b>5:48</b>		<b>6:10</b>	----	<b>6:34</b>	<b>6:44</b>	<b>7:00</b>

## MONDAY – FRIDAY • INBOUND TO DOWNTOWN

	6	7	4	3	2	1
	Knight Arnold Rd at Ridgeway Blvd	Mt. Moriah Rd at Sonora Dr	Park Ave at Goodlett St	Central Ave at U-M Crosswalk	Cooper St at Union Ave	Hudson Transit Center
AM	-----	-----	-----	7:17	7:38	8:00
	7:14	7:25	7:44	-----	8:08	8:30
	-----	-----	-----	8:17	8:38	9:00
	8:14	8:25	8:44	-----	9:08	9:30
	-----	-----	-----	9:17	9:38	10:00
	9:14	9:25	9:44	-----	10:08	10:30
	-----	-----	-----	10:17	10:38	11:00
	10:14	10:25	10:44	-----	11:08	11:30
	-----	-----	-----	11:17	11:38	12:00
	11:14	11:25	11:44	-----	12:08	12:30
PM	-----	-----	-----	12:17	12:38	1:00
	12:14	12:25	12:44	-----	1:08	1:30
	-----	-----	-----	1:17	1:38	2:00
	1:14	1:25	1:44	-----	2:08	2:30
	-----	-----	-----	2:17	2:38	3:00
	2:14	2:25	2:44	-----	3:08	3:30
	-----	-----	-----	3:17	3:38	4:00
	3:14	3:25	3:44	-----	4:08	4:30
	-----	-----	-----	4:17	4:38	5:00
	4:14	4:25	4:44	-----	5:08	5:30
	-----	-----	-----	5:17	5:38	6:00
	5:14	5:25	5:44	-----	6:08	6:30
	-----	-----	-----	6:17	6:38	7:00
	6:14	6:25	6:44	-----	7:08	7:30
	-----	-----	-----	-----	8:08	8:30
	7:14	7:25	7:44	-----	-----	-----

## SATURDAY • OUTBOUND FROM DOWNTOWN

	1	2	3	4	5	6
	Hudson Transit Center	Cooper St at Union Ave	Central Ave at U-M Crosswalk	Park Ave at Goodlett St	Quince Rd at Delmont Rd	Knight Arnold Rd at Ridgeway Blvd
AM	7:48	8:10	-----	8:34	8:44	9:00
	8:18	8:40	9:01	-----	-----	-----
	8:48	9:10	-----	9:34	9:44	10:00
	9:18	9:40	10:01	-----	-----	-----
	9:48	10:10	-----	10:34	10:44	11:00
	10:18	10:40	11:01	-----	-----	-----
	10:48	11:10	-----	11:34	11:44	12:00
	11:18	11:40	12:01	-----	-----	-----
	11:48	12:10	-----	12:34	12:44	1:00
	PM	12:18	12:40	1:01	1:44	2:00
	12:48	1:10	-----	1:34	1:44	2:00
	1:18	1:40	2:01	-----	-----	-----
	1:48	2:10	-----	2:34	2:44	3:00
	2:18	2:40	3:01	-----	-----	-----
	2:48	3:10	-----	3:34	3:44	4:00
	3:18	3:40	4:01	-----	-----	-----
	3:48	4:10	-----	4:34	4:44	5:00
	4:18	4:40	5:01	-----	-----	-----

## SATURDAY • INBOUND TO DOWNTOWN

	6	7	4	3	2	1
	Knight Arnold Rd at Ridgeway Blvd	Mt. Moriah Rd at Sonora Dr	Park Ave at Goodlett St	Central Ave at U-M Crosswalk	Cooper St at Union Ave	Hudson Transit Center
<b>AM</b>	----- 9:14	----- 9:25	----- 9:44	9:17 -----	9:38 10:08	10:00 10:30
	----- 10:14	----- 10:25	----- 10:44	10:17 -----	10:38 11:08	11:00 11:30
	----- 11:14	----- 11:25	----- 11:44	11:17 -----	11:38 <b>12:08</b>	<b>12:00</b> <b>12:30</b>
<b>PM</b>	<b>12:14</b> -----	<b>12:25</b> -----	<b>12:44</b> -----	<b>12:17</b> -----	<b>12:38</b> <b>1:08</b>	<b>1:00</b> <b>1:30</b>
	----- 1:14	----- 1:25	----- 1:44	1:17 -----	1:38 2:08	2:00 2:30
	----- 2:14	----- 2:25	----- 2:44	2:17 -----	2:38 3:08	3:00 3:30
	----- 3:14	----- 3:25	----- 3:44	3:17 -----	3:38 4:08	4:00 4:30
	----- 4:14	----- 4:25	----- 4:44	4:17 -----	4:38 5:08	5:00 5:30
	----- 5:14	----- 5:25	----- 5:44	5:17 -----	5:38 6:08	6:00 6:30

## SUNDAY • OUTBOUND FROM DOWNTOWN

	1	2	3
	Hudson Transit Center	Cooper St at Union Ave	Central Ave at U-M Crosswalk
<b>AM</b>	8:18 9:18	8:40 9:40	9:01 10:01
	10:18 11:18	10:40 11:40	11:01 <b>12:01</b>
<b>PM</b>	<b>12:18</b> 1:18	<b>12:40</b> 1:40	<b>1:01</b> <b>2:01</b>
	2:18 3:18	2:40 3:40	3:01 4:01
	4:18	4:40	5:01

## SUNDAY • INBOUND TO DOWNTOWN

	3	2	1
	Central Ave at U-M Crosswalk	Cooper St at Union Ave	Hudson Transit Center
<b>AM</b>	9:17 10:17	9:38 10:38	10:00 11:00
	11:17	11:38	<b>12:00</b>
<b>PM</b>	<b>12:17</b> 1:17	<b>12:38</b> 1:38	<b>1:00</b> <b>2:00</b>
	2:17 3:17	2:38 3:38	3:00 4:00
	4:17 5:17	4:38 5:38	5:00 6:00



# ROUTE Madison 2

EFFECTIVE : 8/13/2023



## SERVING

- Apple Tree Center
- Halle Stadium
- Park/Getwell Shopping Center
- University of Memphis
- Liberty Bowl
- Overton Square
- Medical District
- Hudson Transit Center

### MATA Fares

Adult Base Fare .....	\$1.00
*Student Base Fare .....	\$1.00
*Seniors/Disabled Base Fare .....	\$0.50
MATAplus Base Fare .....	\$2.00

### MULTI-RIDE PASSES

Daily FastPass .....	\$2.00
*Student Daily FastPass .....	\$2.00
*Senior/Disabled Daily FastPass .....	\$1.00

**\*MATA ID REQUIRED.**  
Seniors & people with disabilities must have a valid MATA ID for the reduced price.

Route schedules may be subject to change without notice.

### MATA Information

**Call Center & Customer Services**  
(901) 274 - MATA (6282)

**Airways Transit Center**  
3033 Airways Boulevard

**American Way Transit Center**  
3921 American Way

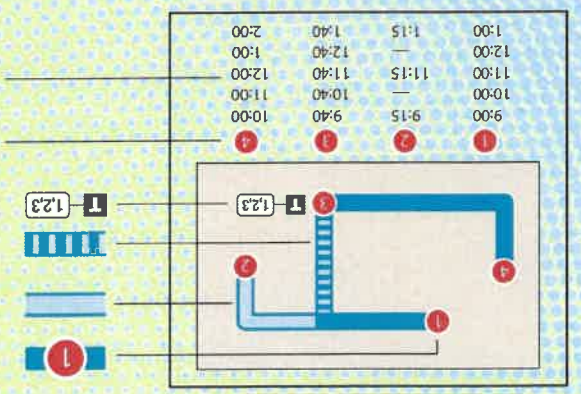
**Hudson Transit Center**  
444 N. Main Street

**MATA Administrative Offices**  
One Commerce Square Building  
40 S. Main Street

**MATA Operations Center**  
1370 Levee Road

**Large print schedules are available upon request.**  
**All buses are wheelchair accessible.**  
Visit us at : [www.MATAtransit.com](http://www.MATAtransit.com)

- The bus stops at this location at listed times.
- Look for the column of times below the matching symbol in the schedule.
- Only certain trips operate along this portion of the route.
- See the schedule for trips that provide service here.
- The bus operates express along this portion of the route.
- Transfer point shows where this bus intersects with other routes that are available for transfer.
- The bus stops at the times listed below the numbered symbol.
- Light times are A.M.; bold times are P.M.
- The timetable shows when the bus is scheduled to depart.
- Actual departure times may vary and depend upon traffic and weather conditions.
- Arrive at the bus stop about 10 minutes early to avoid missing the bus.



### Instructions



(901) 274-6282  
[www.matatransit.com](http://www.matatransit.com)