

Route 37

Perkins



LEGEND	
	Bus Route
	Numbered Timepoint
	Transit Center
	Transfer Point
	Connecting Routes
	Point of Interest
	Park/Ride Lot
	Hospital
©2014 MATA	

**American Way
Transit Center**
7,8,16,30
37,36,69



MONDAY – FRIDAY • NORTHBOUND FROM AMERICAN WAY TRANSIT CENTER

	6	5	4	3	2	1
	American Way Transit Center	Perkins Ext at Poplar Ave	Waring Rd at Summer Ave	Waring Rd at Macon Rd	Raleigh LaGrange Rd at Covington Pike	Yale Rd at Austin Peay
AM	6:00	6:15	6:24	6:28	6:39	6:50
	8:00	8:15	8:24	8:28	8:39	8:50
	10:00	10:15	10:24	10:28	10:39	10:50
PM	12:00	12:15	12:24	12:28	12:39	12:50
	2:00	2:15	2:24	2:28	2:39	2:50
	4:00	4:15	4:24	4:28	4:39	4:50
	6:00	6:15	6:24	6:28	6:39	6:50

MONDAY – FRIDAY • SOUTHBOUND TO AMERICAN WAY TRANSIT CENTER

	1	2	3	4	5	6
	Yale Rd at Austin Peay	Raleigh LaGrange Rd at Covington Pike	Waring Rd at Macon Rd	Waring Rd at Summer Ave	Perkins Ext at Poplar Ave	American Way Transit Center
AM	6:58	7:07	7:19	7:23	7:33	7:50
	8:58	9:07	9:19	9:23	9:33	9:50
	10:58	11:07	11:19	11:23	11:33	11:50
PM	12:58	1:07	1:19	1:23	1:33	1:50
	2:58	3:07	3:19	3:23	3:33	3:50
	4:58	5:07	5:19	5:23	5:33	5:50

SATURDAY • NORTHBOUND FROM AMERICAN WAY TRANSIT CENTER

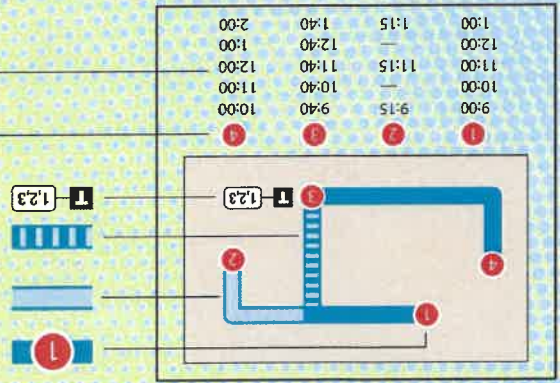
	6	5	4	3	2	1
	American Way Transit Center	Perkins Ext at Poplar Ave	Waring Rd at Summer Ave	Waring Rd at Macon Rd	Raleigh LaGrange Rd at Covington Pike	Yale Rd at Austin Peay
AM	8:00	8:15	8:24	8:28	8:39	8:50
	10:00	10:15	10:24	10:28	10:39	10:50
	12:00	12:15	12:24	12:28	12:39	12:50
PM	2:00	2:15	2:24	2:28	2:39	2:50
	4:00	4:15	4:24	4:28	4:39	4:50

SATURDAY • SOUTHBOUND TO AMERICAN WAY TRANSIT CENTER

	1	2	3	4	5	6
	Yale Rd at Austin Peay	Raleigh LaGrange Rd at Covington Pike	Waring Rd at Macon Rd	Waring Rd at Summer Ave	Perkins Ext at Poplar Ave	American Way Transit Center
AM	8:58	9:07	9:19	9:23	9:33	9:50
	10:58	11:07	11:19	11:23	11:33	11:50
	12:58	1:07	1:19	1:23	1:33	1:50
PM	2:58	3:07	3:19	3:23	3:33	3:50

Instructions

- The bus stops at this location at listed times.
- Look for the column of times below the matching symbol in the schedule.
- Only certain trips operate along this portion of the route.
- See the schedule for trips that provide service here.
- The bus operates express along this portion of the route.
- Transfer point shows where this bus intersects with other routes that are available for transfer.
- The bus stops at the times listed below the numbered symbol.
- Light times are A.M.; bold times are P.M.
- The timetable shows when the bus is scheduled to depart.
- Actual departure times may vary and depend upon traffic and weather conditions.
- Arrive at the bus stop about 10 minutes early to avoid missing the bus.



MATA Fares

Adult Base Fare	\$1.00
*Student Base Fare	\$1.00
*Seniors/Disabled Base Fare	\$0.50
MATApplus Base Fare	\$2.00

MULTI-RIDE PASSES

Daily FastPass	\$2.00
*Student Daily FastPass	\$2.00
*Senior/Disabled Daily FastPass	\$1.00

*MATA ID REQUIRED.

Seniors & people with disabilities must have a valid MATA ID for the reduced price.

Route schedules may be subject to change without notice.

MATA Information

Call Center & Customer Services
(901) 274 - MATA (6282)

Airways Transit Center
3033 Airways Boulevard

American Way Transit Center
3921 American Way

Hudson Transit Center
444 N. Main Street

MATA Administrative Offices
One Commerce Square Building
40 S. Main Street

MATA Operations Center
1370 Levee Road

Large print schedules are available upon request.
All buses are wheelchair accessible.

Visit us at : www.MATATransit.com

EFFECTIVE: 8/13/2023

ROUTE 37 Perkins



SERVING

- Raleigh Springs Town Center
- American Way Transit Center
- Laurelwood Shopping Center



(901) 274-6282
www.matatransit.com