

**Note: The green line is the old 13-Lauderdale route.**

**MONDAY - FRIDAY • WEST-SOUTH**

	1	2	3	4	5	6	7	8	9
	Fletcher Trace Pkwy at Stage Rd	Stage Rd at Summer Ave	James Rd at Austin Peay Hwy	James Rd at Range Line St	Whitney Ave at Thomas St	Hudson Transit Center	4th St at Georgia Ave	Lauderdale Rd at Waldorf Ave	Alice Ave at Benton St
<b>AM</b>	-----	-----	-----	-----	-----	5:18	5:28	5:36	5:42
						6:18	6:28	6:36	6:42
						7:18	7:28	7:36	7:42
						8:18	8:28	8:36	8:42
	7:55	8:12	8:27	8:36	8:47	9:18	9:28	9:36	9:42
	8:55	9:12	9:27	9:36	9:47	10:18	10:28	10:36	10:42
	9:55	10:12	10:27	10:36	10:47	11:18	11:28	11:36	11:42
	10:55	11:12	11:27	11:36	11:47	12:18	12:28	12:36	12:42
	11:55	12:12	12:27	12:36	12:47	1:18	1:28	1:36	1:42
<b>PM</b>	12:55	1:12	1:27	1:36	1:47	2:18	2:28	2:36	2:42
	1:55	2:12	2:27	2:36	2:47	3:18	3:28	3:36	3:42
	2:55	3:12	3:27	3:36	3:47	4:18	4:28	4:36	4:42
	3:55	4:12	4:27	4:36	4:47	5:18	5:28	5:36	5:42
	4:55	5:12	5:27	5:36	5:47	6:18	6:28	6:36	6:42
	5:55	6:12	6:27	6:36	6:47	7:03	-----	-----	-----
	6:55	7:12	7:27	7:36	7:47	8:03	-----	-----	-----
	7:55	8:12	8:27	8:36	8:47	9:03	-----	-----	-----
	8:55	9:12	9:27	9:36	9:47	10:03	-----	-----	-----

## MONDAY - FRIDAY • NORTH-EAST

	9	8	7	6	5	4	3	2	1
	Alice Ave at Benton St	Lauderdale Rd at Waldorf Ave	James Rd at Hollywood St	Hudson Transit Center	Whitney Ave at Thomas St	James Rd at Hollywood St	James Rd at Austin Peay Hwy	Stage Rd at Summer Ave	Fletcher Trace Pkwy at Stage Rd
AM	5:50	5:57	6:05	6:30	6:44	6:55	7:06	7:23	7:37
	6:50	6:57	7:05	7:30	7:44	7:55	8:06	8:23	8:37
	7:50	7:57	8:05	8:30	8:44	8:55	9:06	9:23	9:37
	8:50	8:57	9:05	9:30	9:44	9:55	10:06	10:23	10:37
	9:50	9:57	10:05	10:30	10:44	10:55	11:06	11:23	11:37
	10:50	10:57	11:05	11:30	11:44	11:55	<b>12:06</b>	<b>12:23</b>	<b>12:37</b>
	11:50	11:57	<b>12:05</b>	<b>12:30</b>	<b>12:44</b>	<b>12:55</b>	<b>1:06</b>	<b>1:23</b>	<b>1:37</b>
PM	<b>12:50</b>	<b>12:57</b>	<b>1:05</b>	<b>1:30</b>	<b>1:44</b>	<b>1:55</b>	<b>2:06</b>	<b>2:23</b>	<b>2:37</b>
	<b>1:50</b>	<b>1:57</b>	<b>2:05</b>	<b>2:30</b>	<b>2:44</b>	<b>2:55</b>	<b>3:06</b>	<b>3:23</b>	<b>3:37</b>
	<b>2:50</b>	<b>2:57</b>	<b>3:05</b>	<b>3:30</b>	<b>3:44</b>	<b>3:55</b>	<b>4:06</b>	<b>4:23</b>	<b>4:37</b>
	<b>3:50</b>	<b>3:57</b>	<b>4:05</b>	<b>4:30</b>	<b>4:44</b>	<b>4:55</b>	<b>5:06</b>	<b>5:23</b>	<b>5:37</b>
	<b>4:50</b>	<b>4:57</b>	<b>5:05</b>	<b>5:30</b>	<b>5:44</b>	<b>5:55</b>	<b>6:06</b>	<b>6:23</b>	<b>6:37</b>
	<b>5:50</b>	<b>5:57</b>	<b>6:05</b>	<b>6:30</b>	<b>6:44</b>	<b>6:55</b>	<b>7:06</b>	<b>7:23</b>	<b>7:37</b>
	<b>6:50</b>	<b>6:57</b>	<b>7:05</b>	<b>7:30</b>	<b>7:44</b>	<b>7:55</b>	<b>8:06</b>	<b>8:23</b>	<b>8:37</b>

## SATURDAY • WEST-SOUTH

	1	2	3	4	5	6	7	8	9
	Fletcher Trace Pkwy at Stage Rd	Stage Rd at Summer Ave	James Rd at Austin Peay Hwy	James Rd at Range Line St	Whitney Ave at Thomas St	Hudson Transit Center	4th St at Georgia Ave	Lauderdale Rd at Waldorf Ave	Alice Ave at Benton St
AM	-----	-----	-----	-----	-----	8:18	8:28	8:36	8:42
	-----	-----	-----	-----	-----	9:18	9:28	9:36	9:42
	8:55	9:12	9:27	9:36	9:47	10:18	10:28	10:36	10:42
	9:55	10:12	10:27	10:36	10:47	11:18	11:28	11:36	11:42
	10:55	11:12	11:27	11:36	11:47	<b>12:18</b>	<b>12:28</b>	<b>12:36</b>	<b>12:42</b>
	11:55	<b>12:12</b>	<b>12:27</b>	<b>12:36</b>	<b>12:47</b>	<b>1:18</b>	<b>1:28</b>	<b>1:36</b>	<b>1:42</b>
PM	<b>12:55</b>	<b>1:12</b>	<b>1:27</b>	<b>1:36</b>	<b>1:47</b>	<b>2:18</b>	<b>2:28</b>	<b>2:36</b>	<b>2:42</b>
	<b>1:55</b>	<b>2:12</b>	<b>2:27</b>	<b>2:36</b>	<b>2:47</b>	<b>3:18</b>	<b>3:28</b>	<b>3:36</b>	<b>3:42</b>
	<b>2:55</b>	<b>3:12</b>	<b>3:27</b>	<b>3:36</b>	<b>3:47</b>	<b>4:18</b>	<b>4:28</b>	<b>4:36</b>	<b>4:42</b>
	<b>3:55</b>	<b>4:12</b>	<b>4:27</b>	<b>4:36</b>	<b>4:47</b>	<b>5:18</b>	<b>5:28</b>	<b>5:36</b>	<b>5:42</b>
	<b>4:55</b>	<b>5:12</b>	<b>5:27</b>	<b>5:36</b>	<b>5:47</b>	<b>6:18</b>	<b>6:28</b>	<b>6:36</b>	<b>6:42</b>
	<b>5:55</b>	<b>6:12</b>	<b>6:27</b>	<b>6:36</b>	<b>6:47</b>	<b>7:03</b>	-----	-----	-----
	<b>6:55</b>	<b>7:12</b>	<b>7:27</b>	<b>7:36</b>	<b>7:47</b>	<b>8:03</b>	-----	-----	-----
	<b>7:55</b>	<b>8:12</b>	<b>8:27</b>	<b>8:36</b>	<b>8:47</b>	<b>9:03</b>	-----	-----	-----
	<b>8:55</b>	<b>9:12</b>	<b>9:27</b>	<b>9:36</b>	<b>9:47</b>	<b>10:03</b>	-----	-----	-----

## SATURDAY • NORTH-EAST

	9	8	7	6	5	4	3	2	1
	Alice Ave at Benton St	Lauderdale Rd at Waldorf Ave	James Rd at Hollywood St	Hudson Transit Center	Whitney Ave at Thomas St	James Rd at Hollywood St	James Rd at Austin Peay Hwy	Stage Rd at Summer Ave	Fletcher Trace Pkwy at Stage Rd
AM	-----	-----	-----	7:30	7:44	7:55	8:06	8:23	8:37
	-----	-----	-----	8:30	8:44	8:55	9:06	9:23	9:37
	8:50	8:57	9:05	9:30	9:44	9:55	10:06	10:23	10:37
	9:50	9:57	10:05	10:30	10:44	10:55	11:06	11:23	11:37
	10:50	10:57	11:05	11:30	11:44	11:55	<b>12:06</b>	<b>12:23</b>	<b>12:37</b>
	11:50	11:57	<b>12:05</b>	<b>12:30</b>	<b>12:44</b>	<b>12:55</b>	<b>1:06</b>	<b>1:23</b>	<b>1:37</b>
PM	<b>12:50</b>	<b>12:57</b>	<b>1:05</b>	<b>1:30</b>	<b>1:44</b>	<b>1:55</b>	<b>2:06</b>	<b>2:23</b>	<b>2:37</b>
	<b>1:50</b>	<b>1:57</b>	<b>2:05</b>	<b>2:30</b>	<b>2:44</b>	<b>2:55</b>	<b>3:06</b>	<b>3:23</b>	<b>3:37</b>
	<b>2:50</b>	<b>2:57</b>	<b>3:05</b>	<b>3:30</b>	<b>3:44</b>	<b>3:55</b>	<b>4:06</b>	<b>4:23</b>	<b>4:37</b>
	<b>3:50</b>	<b>3:57</b>	<b>4:05</b>	<b>4:30</b>	<b>4:44</b>	<b>4:55</b>	<b>5:06</b>	<b>5:23</b>	<b>5:37</b>
	<b>4:50</b>	<b>4:57</b>	<b>5:05</b>	<b>5:30</b>	<b>5:44</b>	<b>5:55</b>	<b>6:06</b>	<b>6:23</b>	<b>6:37</b>
	<b>5:50</b>	<b>5:57</b>	<b>6:05</b>	<b>6:30</b>	<b>6:44</b>	<b>6:55</b>	<b>7:06</b>	<b>7:23</b>	<b>7:37</b>
	<b>6:50</b>	<b>6:57</b>	<b>7:05</b>	<b>7:30</b>	<b>7:44</b>	<b>7:55</b>	<b>8:06</b>	<b>8:23</b>	<b>8:37</b>

## SUNDAY • WEST-SOUTH

	1	2	3	4	5	6	7	8	9
	Fletcher Trace Pkwy at Stage Rd	Stage Rd at Summer Ave	James Rd at Austin Peay Hwy	James Rd at Range Line St	Whitney Ave at Thomas St	Hudson Transit Center	4th St at Georgia Ave	Lauderdale Rd at Waldorf Ave	Alice Ave at Benton St
AM	-----	-----	-----	-----	-----	8:18	8:28	8:36	8:42
	-----	-----	-----	-----	-----	9:18	9:28	9:36	9:42
	-----	-----	-----	-----	-----	10:18	10:28	10:36	10:42
	9:55	10:12	10:27	10:36	10:47	11:18	11:28	11:36	11:42
	10:55	11:12	11:27	11:36	11:47	<b>12:18</b>	<b>12:28</b>	<b>12:36</b>	<b>12:42</b>
	11:55	<b>12:12</b>	<b>12:27</b>	<b>12:36</b>	<b>12:47</b>	<b>1:18</b>	<b>1:28</b>	<b>1:36</b>	<b>1:42</b>
PM	<b>12:55</b>	<b>1:12</b>	<b>1:27</b>	<b>1:36</b>	<b>1:47</b>	<b>2:18</b>	<b>2:28</b>	<b>2:36</b>	<b>2:42</b>
	<b>1:55</b>	<b>2:12</b>	<b>2:27</b>	<b>2:36</b>	<b>2:47</b>	<b>3:18</b>	<b>3:28</b>	<b>3:36</b>	<b>3:42</b>
	<b>2:55</b>	<b>3:12</b>	<b>3:27</b>	<b>3:36</b>	<b>3:47</b>	<b>4:18</b>	<b>4:28</b>	<b>4:36</b>	<b>4:42</b>
	<b>3:55</b>	<b>4:12</b>	<b>4:27</b>	<b>4:36</b>	<b>4:47</b>	<b>5:18</b>	<b>5:28</b>	<b>5:36</b>	<b>5:42</b>
	<b>4:55</b>	<b>5:12</b>	<b>5:27</b>	<b>5:36</b>	<b>5:47</b>	<b>6:03</b>	-----	-----	-----

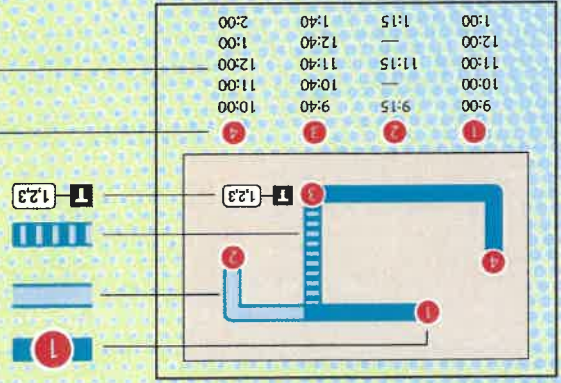
## SUNDAY • NORTH-EAST

	9	8	7	6	5	4	3	2	1
	Alice Ave at Benton St	Lauderdale Rd at Waldorf Ave	James Rd at Hollywood St	Hudson Transit Center	Whitney Ave at Thomas St	James Rd at Hollywood St	James Rd at Austin Peay Hwy	Stage Rd at Summer Ave	Fletcher Trace Pkwy at Stage Rd
AM	-----	-----	-----	8:30	8:44	8:55	9:06	9:23	9:37
	8:50	8:57	9:05	9:30	9:44	9:55	10:06	10:23	10:37
	9:50	9:57	10:05	10:30	10:44	10:55	11:06	11:23	11:37
	10:50	10:57	11:05	11:30	11:44	11:55	<b>12:06</b>	<b>12:23</b>	<b>12:37</b>
	11:50	11:57	<b>12:05</b>	<b>12:30</b>	<b>12:44</b>	<b>12:55</b>	<b>1:06</b>	<b>1:23</b>	<b>1:37</b>
PM	<b>12:50</b>	<b>12:57</b>	<b>1:05</b>	<b>1:30</b>	<b>1:44</b>	<b>1:55</b>	<b>2:06</b>	<b>2:23</b>	<b>2:37</b>
	<b>1:50</b>	<b>1:57</b>	<b>2:05</b>	<b>2:30</b>	<b>2:44</b>	<b>2:55</b>	<b>3:06</b>	<b>3:23</b>	<b>3:37</b>
	<b>2:50</b>	<b>2:57</b>	<b>3:05</b>	<b>3:30</b>	<b>3:44</b>	<b>3:55</b>	<b>4:06</b>	<b>4:23</b>	<b>4:37</b>
	<b>3:50</b>	<b>3:57</b>	<b>4:05</b>	<b>4:15</b>	-----	-----	-----	-----	-----
	<b>4:50</b>	<b>4:57</b>	<b>5:05</b>	<b>5:15</b>	-----	-----	-----	-----	-----
	<b>5:50</b>	<b>5:57</b>	<b>6:05</b>	<b>6:15</b>	-----	-----	-----	-----	-----



## Instructions

- The bus stops at this location at listed times.
- Look for the column of times below the matching symbol in the schedule.
- Only certain trips operate along this portion of the route.
- See the schedule for trips that provide service here.
- The bus operates express along this portion of the route.
- Transfer point shows where this bus intersects with other routes that are available for transfer.
- The bus stops at the times listed below the numbered symbol.
- Light times are A.M.; bold times are P.M.
- The timetable shows when the bus is scheduled to depart.
- Actual departure times may vary and depend upon traffic and weather conditions.
- Arrive at the bus stop about 10 minutes early to avoid missing the bus.



### MATA Fares

Adult Base Fare .....	\$1.00
*Student Base Fare .....	\$1.00
*Seniors/Disabled Base Fare .....	\$0.50
MATApilus Base Fare .....	\$2.00

### MULTI-RIDE PASSES

Daily FastPass .....	\$2.00
*Student Daily FastPass .....	\$2.00
*Senior/Disabled Daily FastPass .....	\$1.00

#### \*MATA ID REQUIRED.

Seniors & people with disabilities must have a valid MATA ID for the reduced price.

Route schedules may be subject to change without notice.

### MATA Information

**Call Center & Customer Services**  
(901) 274 - MATA (6282)

**Airways Transit Center**  
3033 Airways Boulevard

**American Way Transit Center**  
3921 American Way

**Hudson Transit Center**  
444 N. Main Street

**MATA Administrative Offices**  
One Commerce Square Building  
40 S. Main Street

**MATA Operations Center**  
1370 Levee Road

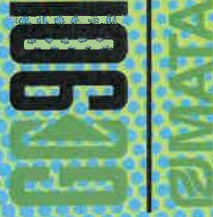
**Large print schedules are available upon request.**  
**All buses are wheelchair accessible.**

Visit us at : [www.MATATransit.com](http://www.MATATransit.com)

EFFECTIVE : 8/13/2023

ROUTE

Stage  
Lauderdale  
**40**



### SERVING

- Wolfchase Galleria
- Bartlett Towne Center
- St. Francis Hospital - Bartlett
- Hudson Transit Center
- Central Station
- Main Post Office



(901) 274-6282  
[www.matatransit.com](http://www.matatransit.com)